

CX14D



**MINI EXCAVATORS**  
**D-Series**



Engine D722  
Engine power 8.8 kW - 11.8 HP  
Operating weight 1360 kg

# SPECIFICATIONS

## CX14D

### ENGINE

Type	KUBOTA D722 - STAGE 5
Max. Power (2200 rpm) (kW / hp)	8.8 - 11.8
Displacement (cm <sup>3</sup> )	719
Number of cylinders (n°)	3
Cooling	Liquid
Consumption (l/h)	1.8
Alternator (V)	12 (40 A)
Battery V (Ah)	12 (45)

### HYDRAULIC SYSTEM

Pump type	variable flow
Pump displacement (cm <sup>3</sup> )	5.5 + 5.5
Pump capacity (l/min)	28
Max. circuit calibration pressure (bar)	200
Auxiliary system (max pressure):	
AUX 1 single or double effect (l/min)	28 - 200 bar
AUX 2 - optional (l/min)	13 - 165 bar

### SLEWING & TRAVEL SPEED

Travelling speed	
(AUTO TWO SPEED) (km/h)	1 <sup>st</sup> : 0 ÷ 1.8 / 2 <sup>nd</sup> : 0 ÷ 3.8
Slew speed (rpm)	9.5

### CONTROLS

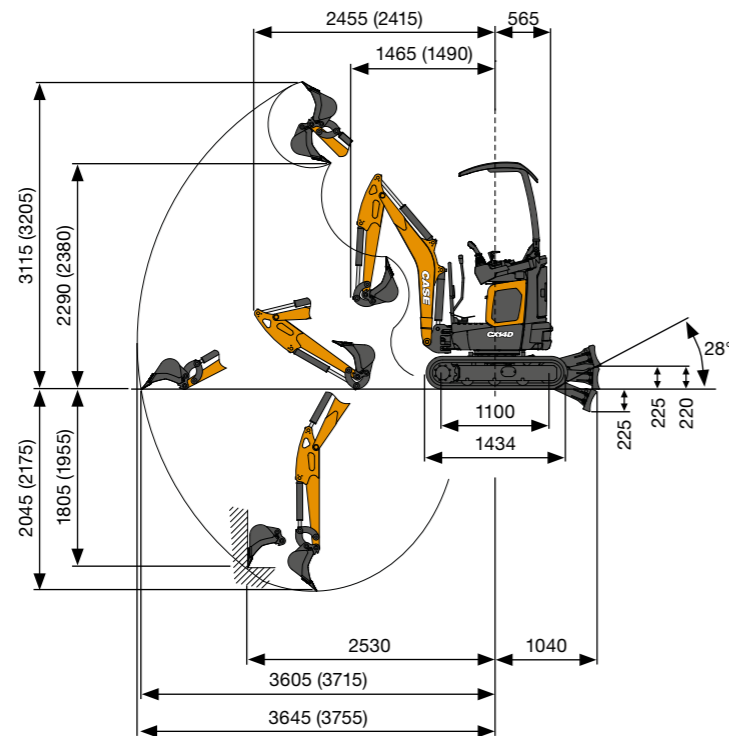
Boom, dipper stick, bucket and turret swing	2 pilot joysticks
Track movements (included counter rotation)	2 pilot levers
Dozer blade	pilot lever
Auxiliary system with latch AUX 1 (single or double effect)	electroproportional switch on right joystick
Boom swing	electroproportional switch on left joystick

### OPERATING WEIGHT

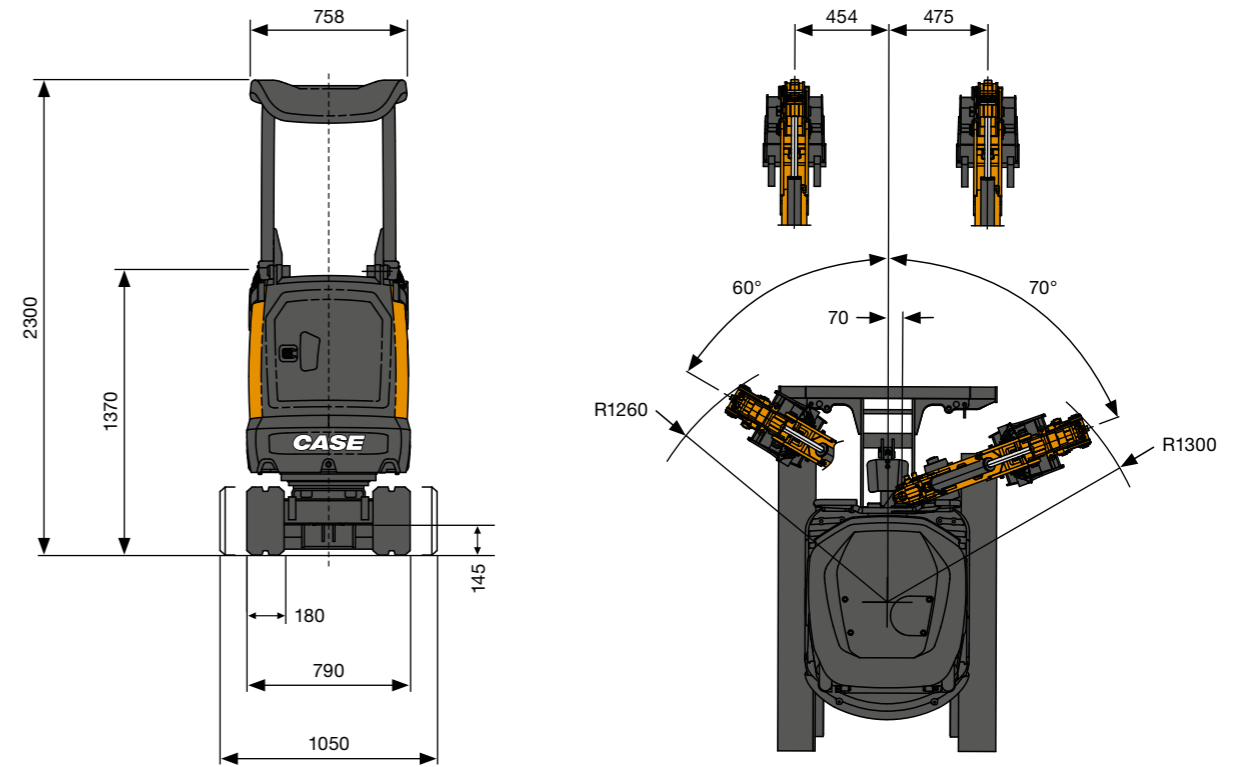
Weight with canopy* (kg)	1255
Weight with canopy and ABS roof* (kg)	1280
Operating weight with canopy* ISO 6016 (kg)	1360
Operating weight with canopy and ABS roof* ISO 6016 (kg)	1385
* with rubber tracks	

### CIRCUIT AND COMPONENT CAPACITIES

Fuel tank (l)	14.5
Hydraulic oil tank (l)	9.5
Hydraulic circuit capacity (l)	15
Cooling system capacity (l)	6
Engine oil (l)	1.8



PERFORMANCE DATA		Std. Arm 1020 mm	Opt. Arm 1150 mm
Max. digging depth	mm	2045	2175
Max. dumping height	mm	2290	2380
Bucket breaking force	daN		1150
Arm breaking force ISO 6015	daN		630
Traction force	daN		1000
Ground bearing pressure with canopy	kg/cm <sup>2</sup>		0.31
Max. slope			60% - 30°



### GENERAL DIMENSIONS

Maximum width	mm	790 - 1050
Total height	mm	2300
Tracks width	mm	180
Rear rotation radius	mm	565
Digging arm length standard (optional)	mm	1020 (1150)
Rollers number (for each side)	n°	3

## LIFTING CAPACITY

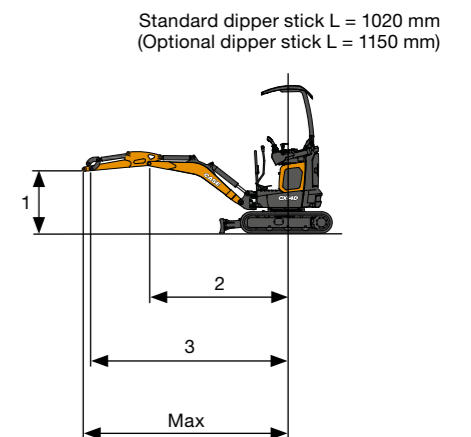
### CX14D

Opening arm from the rotation's center (m)  
Lifting capacity (ton) at 1.0 m height

LIFTING CAPACITY	2	3	Max
Frontal and lowered dozer blade	0.30*	0.15*	0.14*
Frontal and lifted dozer blade	0.30*	0.15	0.13
Lateral, open undercarriage	0.28*	0.14	0.11

\* Indicates the hydraulic load limit.

The lifting capacity is based on the ISO 10567 and it does not exceed more than the 75% of static tipping load or more than the 87% of the hydraulic lifting capacity of the machine.



# STANDARD AND OPTIONS

## STANDARD EQUIPMENT

- + Tiltable Roll-bar (ROPS/TOPS)
- + Vinyl seat with Mechanical suspension (canopy)
- + Standard arm
- + Boom Lift cylinder and dozer blade cylinder protection
- + Additional counterweight
- + Servo-assisted hydraulic joysticks with Electro-Hydraulic proportional controls
- + Electro-Hydraulic proportional Swing control
- + 1<sup>st</sup> Auxiliary (AUX1) circuit with Electro-Hydraulic proportional control
- + Mechanical diverter between Single effect and Double effect AUX1
- + 2 speed travel with Automatic Shift Down (from 2<sup>nd</sup> to 1<sup>st</sup> gear if more traction is required) and Shift-up
- + Rubber tracks
- + Standard Dozer Blade
- + Extendable undercarriage
- + Operator manual
- + Documents box and Tool kit for maintenance
- + Ignition key, which opens every machine lock
- + Standard LED working lights (boom)
- + Battery disconnect switch
- + Variable Volume Pump
- + Standard Hydraulic oil and Lubricants

## OPTIONAL EQUIPMENT

- + Roll-bar plastic cover (FOPS Level 1)
- + Anti-Theft
- + Travel alarm
- + Long arm
- + 2<sup>nd</sup> Auxiliary (AUX2) circuit with Electro-Hydraulic proportional control
- + Block valves on dozer blade cylinder
- + Extra LED working lights (roof)
- + Rotating beacon
- + Case Sitewatch
- + Bio Hydraulic oil and Lubricants
- + Mechanical quick couplers
- + Buckets

## CASE AFTERMARKET SOLUTIONS

- + Arm cylinder and bucket cylinder protection
- + Pattern change ISO-SAE
- + Vast variety of attachments
- + Full range of Buckets
- + Full range of Mechanical and Hydraulic quick couplers

**CNH Industrial**  
Deutschland GmbH  
Case Baumaschinen  
Benzstr. 1-3 - D-74076 Heilbronn  
DEUTSCHLAND

**CNH Industrial**  
Maquinaria Spain, S.A.  
Avenida Aragón 402  
28022 Madrid - ESPAÑA

**CNH Industrial France, S.A.**  
16-18 Rue des Rochettes  
91150 Morigny-Champigny  
FRANCE

**CNH Industrial Italia Spa**  
via Plava, 80  
10135 Torino  
ITALIA

**CASE Construction Equipment**  
Cranes Farm Rd  
Basildon - SS14 3AD  
UNITED KINGDOM

NOTE: Standard and optional fittings can vary according to the demands and specific regulations of each country. The illustrations may include optional rather than standard fittings - consult your Case dealer. Furthermore, CNH Industrial reserves the right to modify machine specifications without incurring any obligation relating to such changes.

Conforms to directive 2006/42/EC

**CASECE.COM**  
**00800-2273-7373**

The call is free from a land line.  
Check in advance with your Mobile Operator if you will be charged. Toll free number not available from all calling areas.